

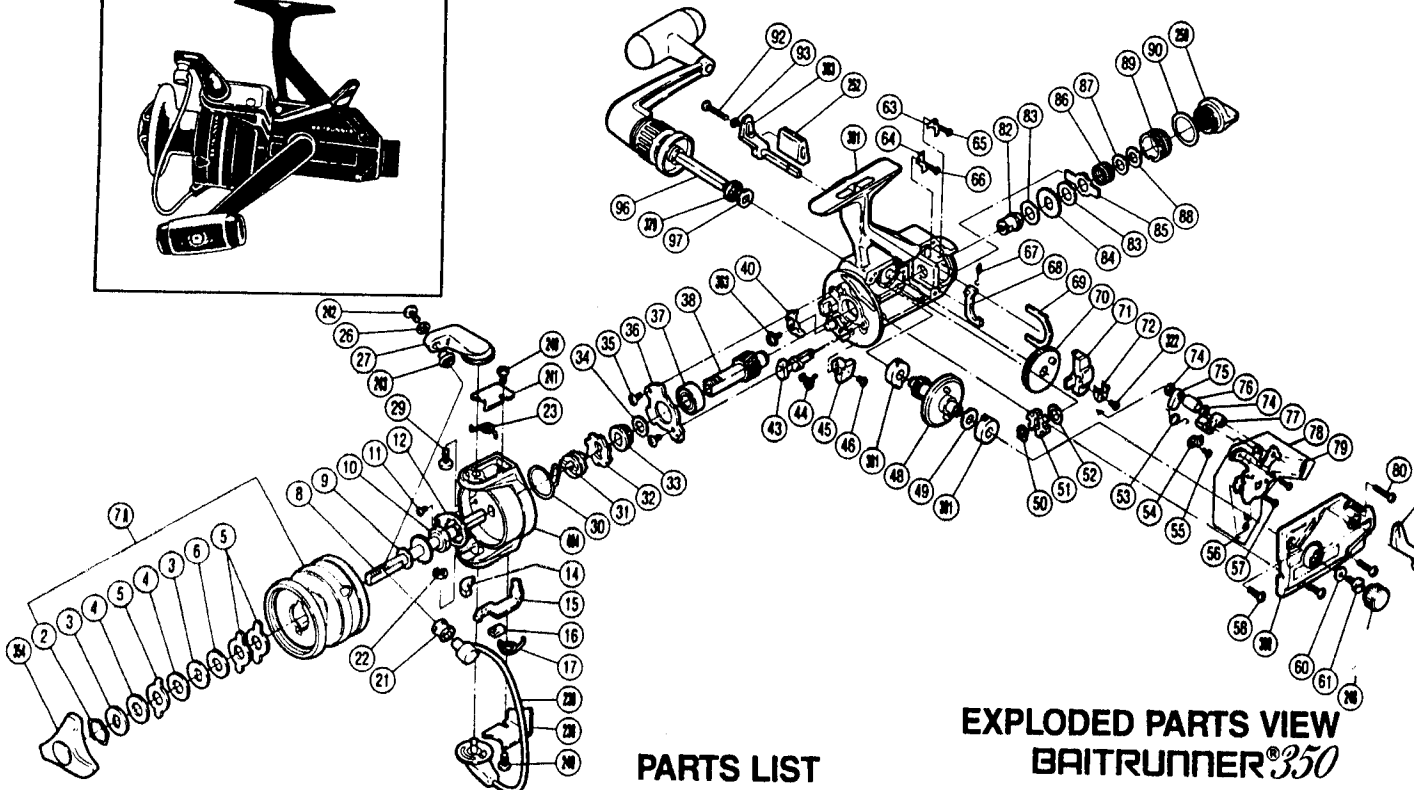
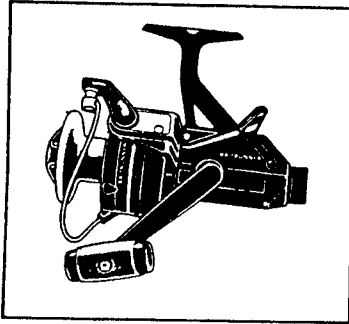
SHIMANO®

1987 REPAIR MANUAL

Shimano American Corporation, One Shimano Dr.
Irvine, CA 92718

TO ORDER:

This reel belongs to the "BaitRunner" series.
Please order parts using the abbreviation
"BR" and the part number.



**EXPLODED PARTS VIEW
BAITRUNNER 350**

PART # DESCRIPTION

- 2. Drag Washers Retainer
- 3. Key Washer
- 4. Drag Washer 1
- 5. Eared Washer
- 6. Drag Washer 2
- 7A. Spool Assembly (Universal)
- 8. Main Shaft
- 9. Spool Washer
- 10. Rotor Nut
- 11. Nut Lock Screw
- 12. Rotor Nut Lock Plate
- 14. Bail Trip Slide Cam
- 15. Bail Trip Lever
- 16. Trip Lever Guide
- 17. Lever Spring
- 21. Line Roller
- 22. "E" Lock
- 23. Bail Spring
- 26. Lock Washer
- 27. Bail Arm
- 29. Bail Arm Screw
- 30. Anti-Reverse Pawl Spring
- 31. Anti-Reverse Spring Holder
- 32. Anti-Reverse Ratchet
- 33. Pinion Spacer
- 34. Bushing Washer
- 35. Bearing Retainer Screw
- 36. Bearing Retainer
- 37. Ball Bearing
- 38. Pinion Gear
- 40. Anti-Reverse Pawl
- 43. Anti-Reverse Cam
- 44. Anti-Reverse Cam Spring

PART # DESCRIPTION

- 45. Anti-Reverse Lever
- 46. Anti-Reverse Lever Screw
- 48. Drive Gear
- 49. Drive Gear Washer
- 50. "C" Lock
- 51. Baitrunner Ratchet
- 52. Ratchet Spacer
- 53. Clutch Spring
- 54. Lever Shaft Retainer
- 55. Shaft Retainer Screw
- 56. Clutch Pawl Spring
- 57. Clutch Plate Screw
- 58. Side Cover Screw A
- 60. Handle Lock Washer
- 61. Handle Lock Washer
- 63. Dial Click
- 64. Baitrunner Pawl Guide
- 65. Dial Click Screw
- 66. Pawl Guide Screw
- 67. Baitrunner Pawl Spring
- 68. Baitrunner Pawl
- 69. Dial Retainer
- 70. Oscillating Gear
- 71. Oscillating Slider
- 72. Oscillating Slider Retainer
- 74. Clutch Cam Spacer B
- 75. Clutch Cam
- 76. Clutch Cam Spacer A
- 77. Clutch Arm
- 78. Clutch Plate Assembly
- 79. Baitrunner Click Spring
- 80. Side Cover Screw B

PART # DESCRIPTION

- 82. Free Spool Tension Shaft
- 83. Free Spool Tension Washer
- 84. Click Gear
- 85. Eared Washer "BFS"
- 86. Free Spool Tension Spring
- 87. Tension Spring Washer "A"
- 88. Tension Spring Washer "B"
- 89. Free Spool Tension Screw
- 90. Dial Spacer
- 92. Baitrunner Lever Screw
- 93. Lock Washer
- 96. Handle Assembly
- 97. Handle Lock Spacer
- 238. Ball Assembly
- 239. Bail Trip Cover
- 240. Bail Trip Cover Screw
- 241. Bail Spring Cover
- 242. Line Roller Screw
- 243. Line Roller Washer
- 248. Handle Screw Cap
- 250. Baitrunner Tension Dial
- 252. Baitrunner Lever Bridge
- 301. Bushing
- 322. Slider Retainer Screw
- 354. Drag Knob
- 363. Anti-Reverse Pawl Screw
- 379. Handle Lock Ring
- 380. Side Cover
- 381. Body
- 382. Baitrunner Lever Arm (L)
- 383. Baitrunner Lever Arm (R)
- 404. Rotor